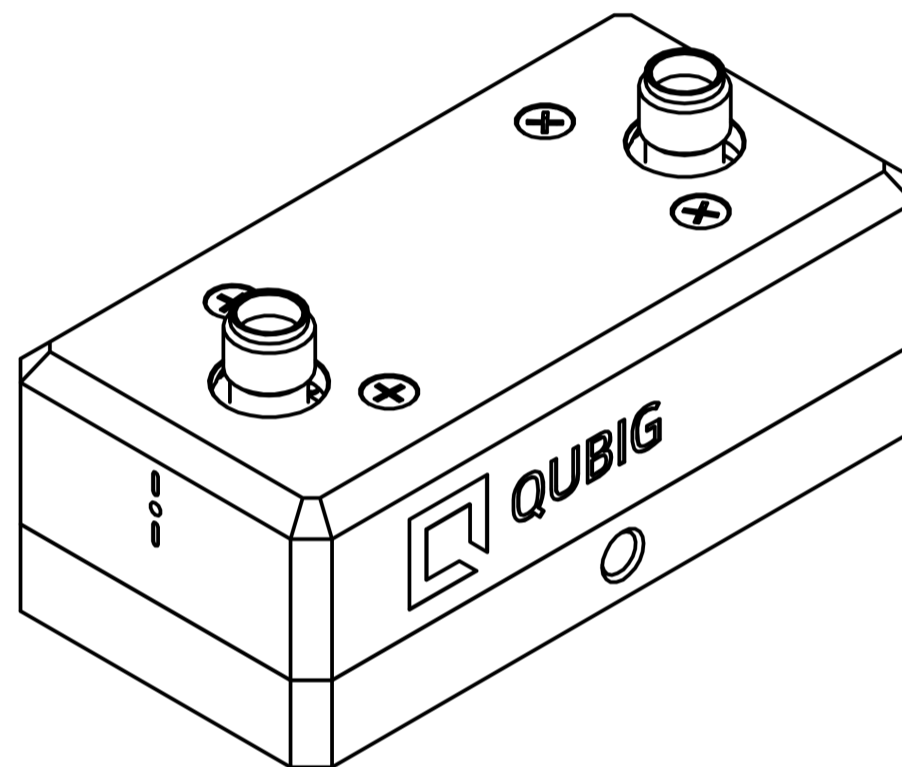


Test Data sheet

TWP5M1-NIR

Sample DS

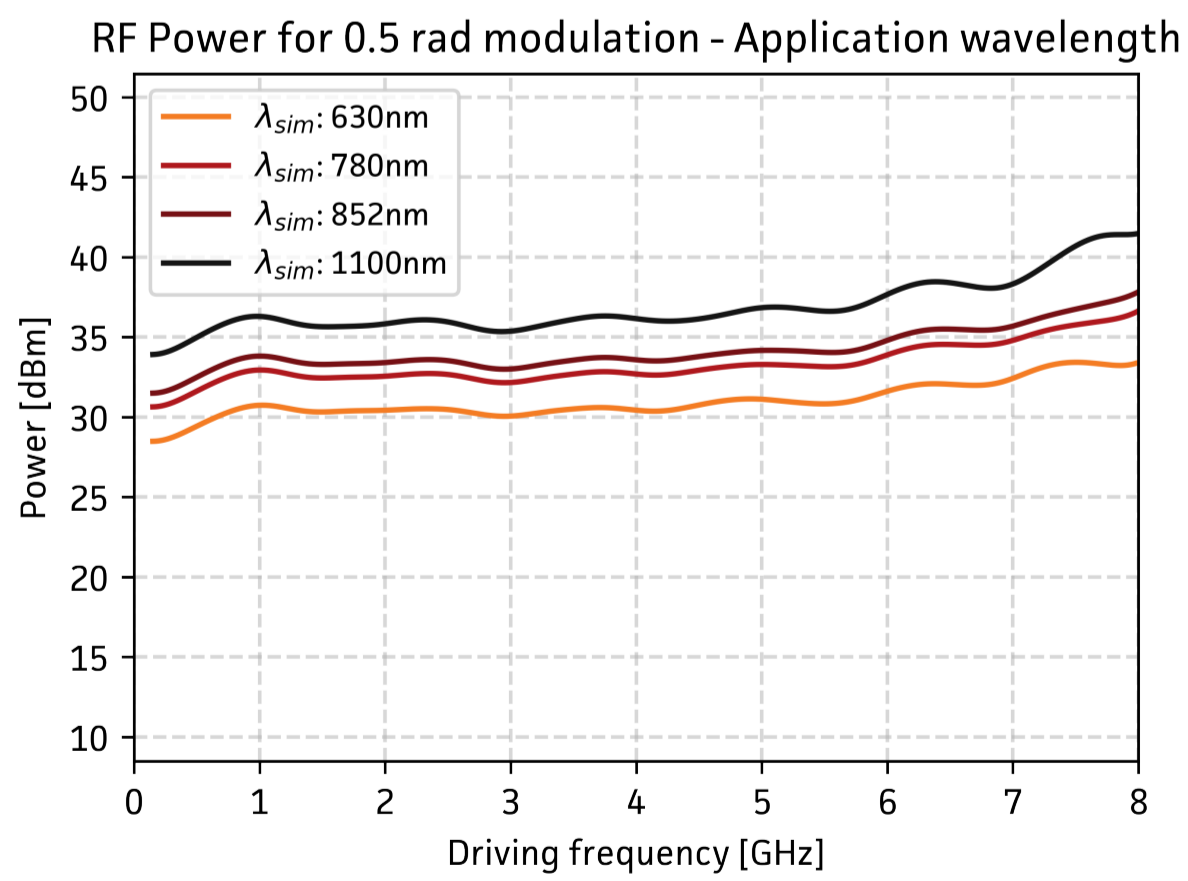
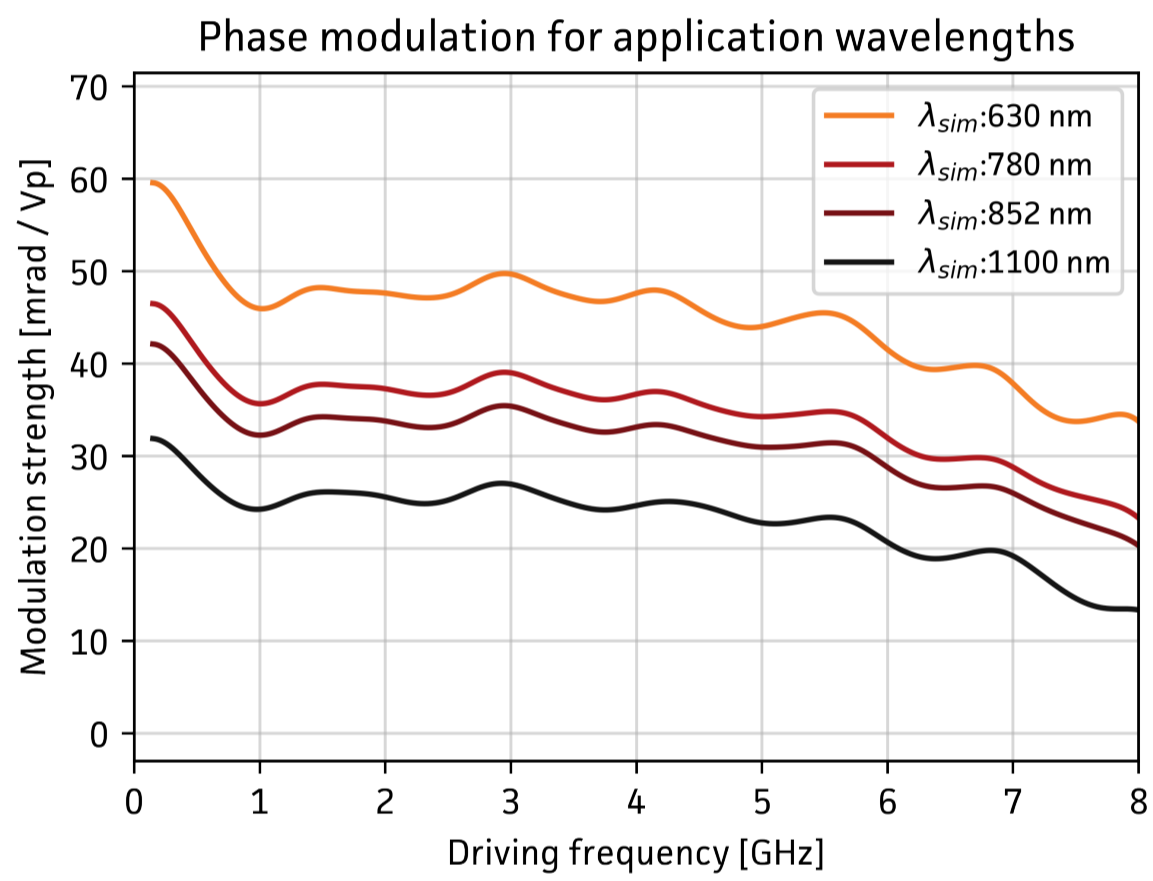
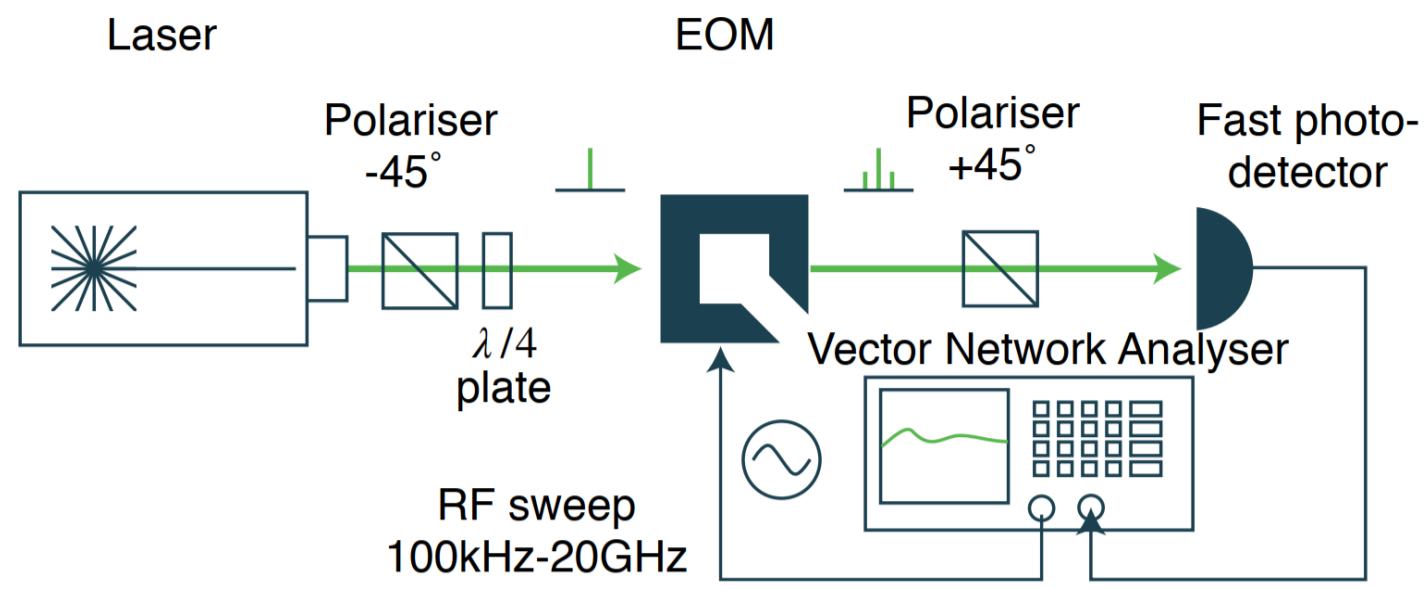
Free-space traveling-wave
broadband electro-optic phase modulator



Property	Value	Unit
Modulation efficiency (780nm)	~ 36.0	mrاد/Vp
Modulation bandwidth	~5	GHz
Max RF power ¹	40	dBm
Apperture	~ 1x1	mm ²
Wavefront distortion (633nm)	$\lambda/6$	nm
Maximum optical intensity (780nm)	5	W/mm ²
AR coating (R<0.5%)	630-1100	nm

(1) use of a RF circulator is necessary. No damage with RFin < 10W, but use of a proper heatsink recommended

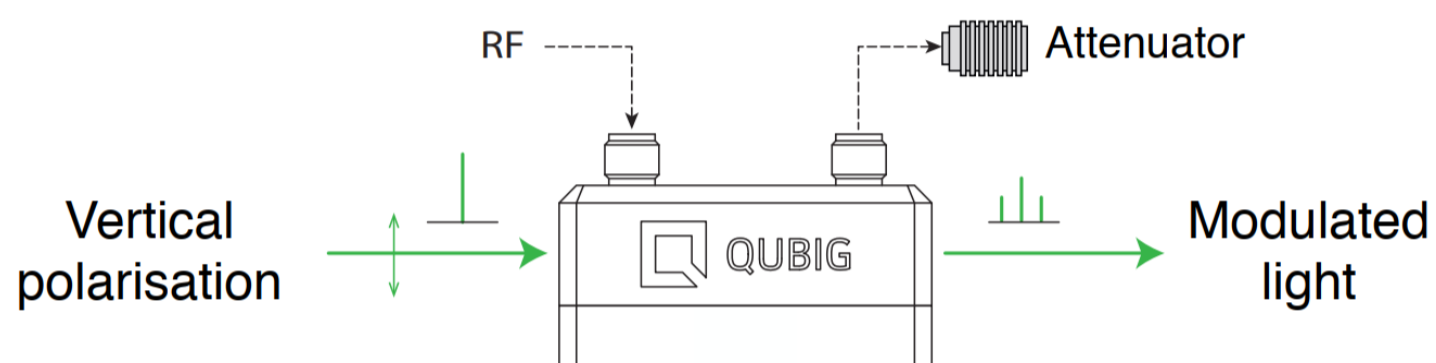
Measured modulation



Handling instructions

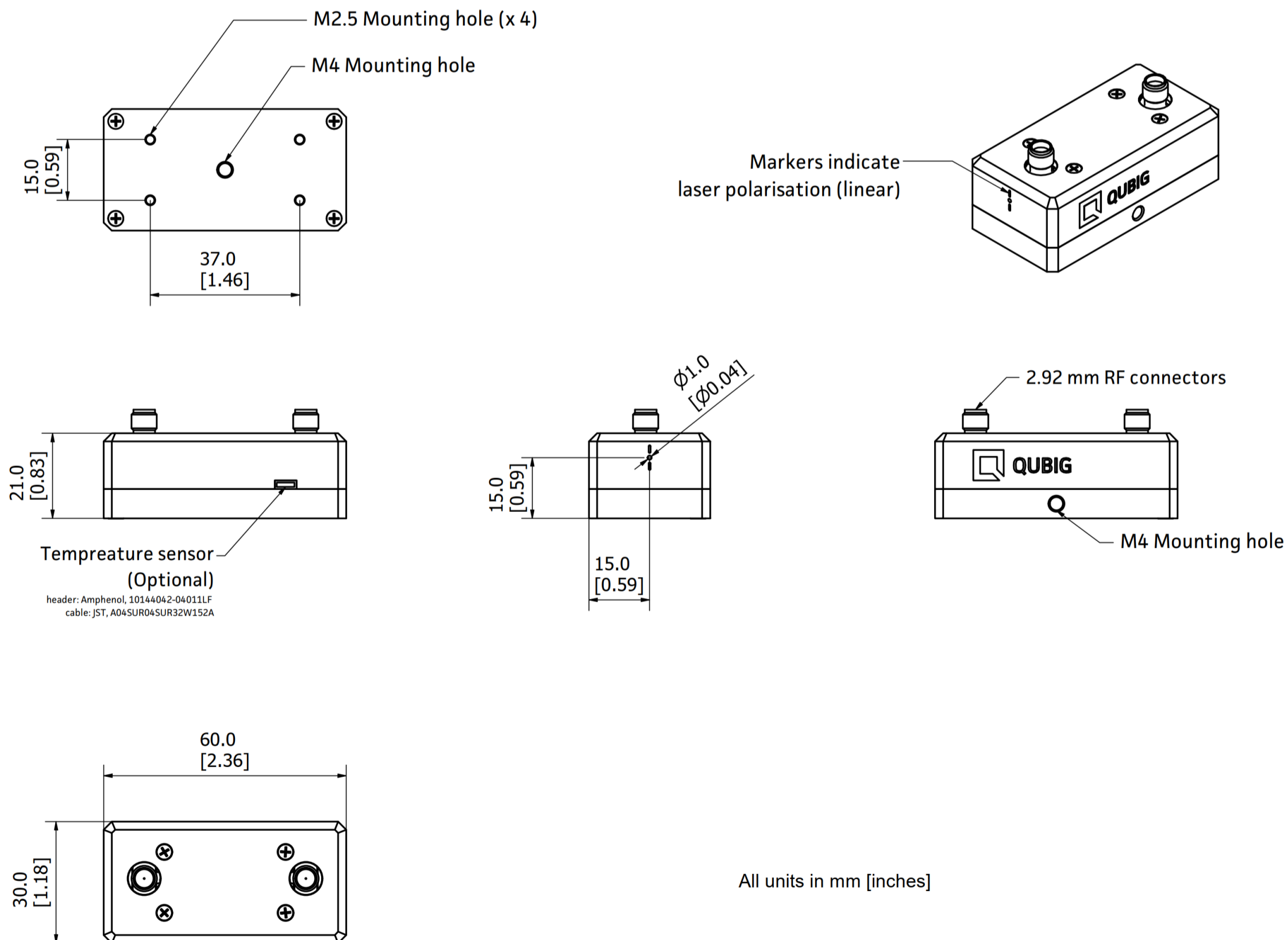
- Input laser polarisation must be aligned with respect to the white markers on the housing
- Radio frequency signal must propagate in the same direction as the light beam.
- An RF-attenuator must be used at the RF-out port.
- Please handle device carefully. Avoid shock. Do not drop.
- Slight angle adjustment can reduce unwanted residual amplitude modulation (RAM).

Operation configuration



The use of a long coaxial cable between the EOM and the RF attenuator is recommended to avoid heating for high RF power.

Package drawing



Tested by

Tel: +49 89 2302 9101
Fax: +49 89 2302 9102
eMail: mail@qubig.com
web: www.qubig.com

Qubig GmbH
Balanstr. 57
81451 Munich
Germany